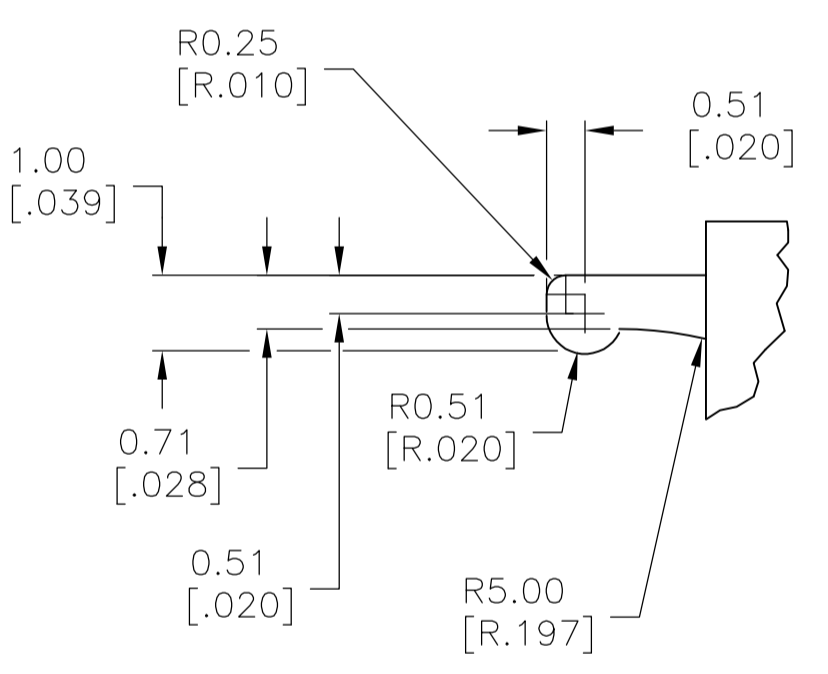
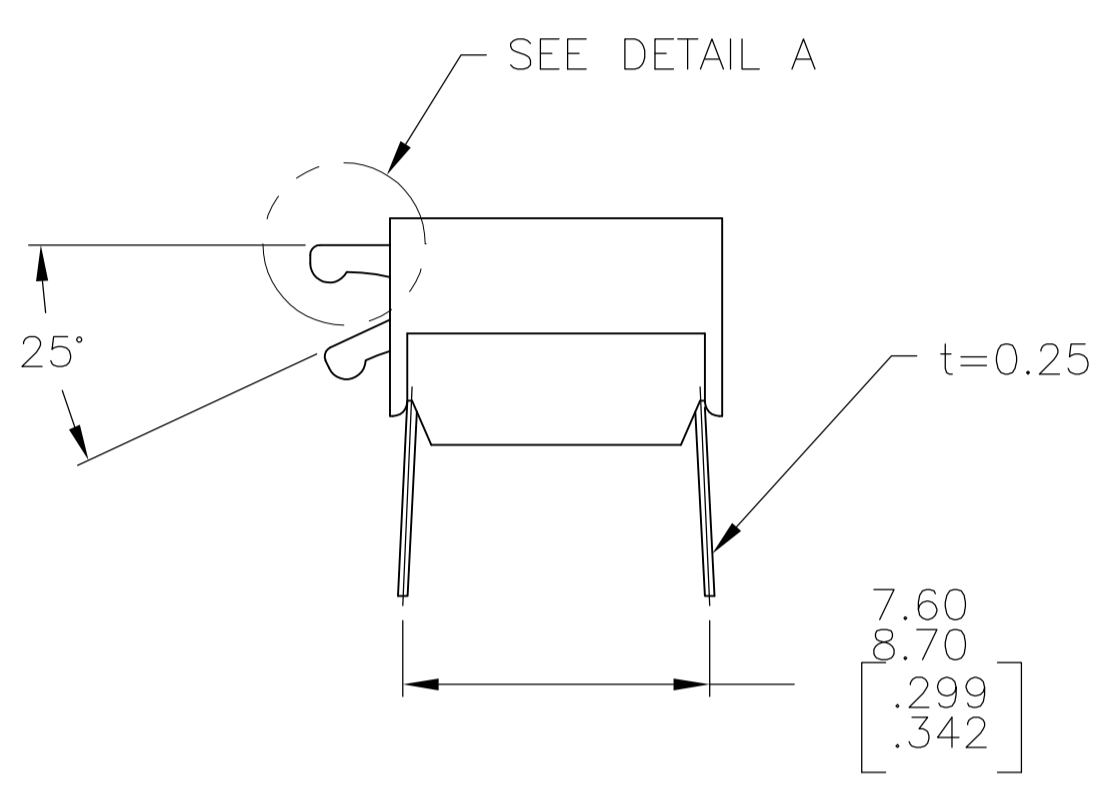
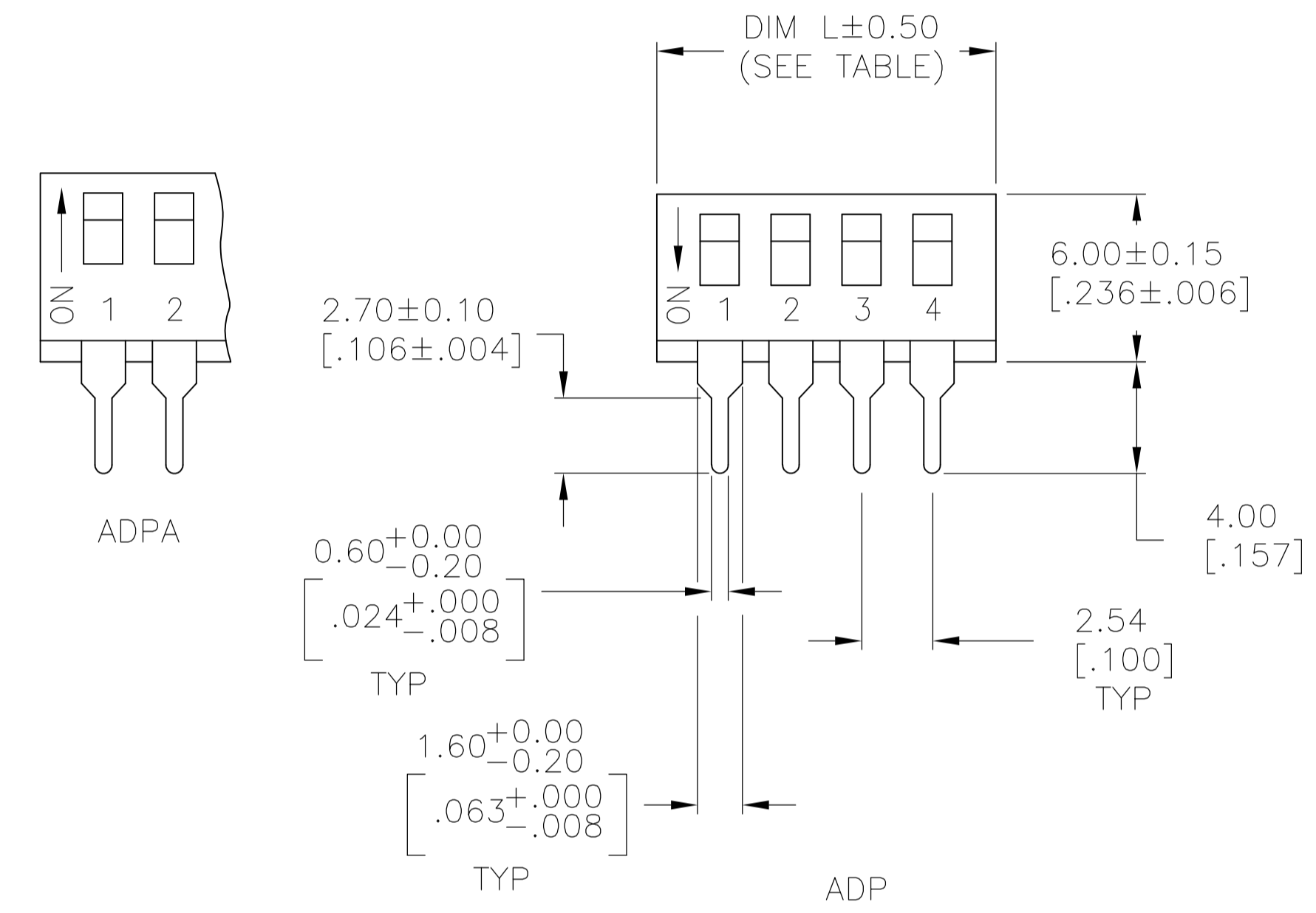


RECOMMENDED HOLE LAYOUT



DETAIL A  
SCALE: 10:1



SPECIFICATIONS:

**MATERIAL:**  
CASE: PPS 94V-0, BLACK  
COVER: PPS 94V-0, BLACK  
ACTUATOR: NYLON PA6T 94V-0, WHITE  
MOVING CONTACT: COPPER ALLOY, GOLD OVER NICKEL PLATE.  
FIXED CONTACT/TERMINAL: COPPER ALLOY, GOLD OVER NICKEL PLATE.

**ELECTRICAL:**  
CONTACT RATING: MAX RATING (SWITCHING) 100 MILLIAMPS @ 24V DC,  
MIN (SWITCHING) 0.10 MICROAMPS @1 MILLIVOLT,  
MAX (NON-SWITCHING) 1 AMP @ 5V DC INITIAL  
CONTACT RESISTANCE: 50 MILLIOHMS MAX.  
INSULATION RESISTANCE: 100 MEGOHMS MIN. @ 100 VDC.  
DIELECTRIC STRENGTH: 500 VAC. LIFE EXPECTANCY: 1000 CYCLES MIN.

**MECHANICAL:**  
ACTUATION FORCE: 800g MAX.

**ENVIRONMENTAL:**  
OPERATING TEMPERATURE: -22°F TO +185°F (-30°C TO +85°C).  
STORAGE TEMPERATURE: -49°F TO +212°F (-45°C TO +100°C).  
SOLDER HEAT RESISTANCE TO 265±3°C FOR 8±2 SECONDS.  
SOLDERABILITY PER JIS C 0050 & JIS C 0053

- CONTACT PRESSURE: 280,000 PSI.
  - CLEANING: AQUEOUS SOLUTION OR SOLVENT.
  - PACKAGING OPTIONS- CLEAR TUBES OR TAPE AND REEL PER EIA-481 SWITCH SUPPLIED IN THE "OFF" POSITION UNLESS "ON" IS SPECIFIED IN THE ALCO PART NUMBER (SEE PART NUMBER TABLE FOR ALL OPTIONS)
  - TOP & FRONT SURFACES TO BE CLEARLY MARKED AS SHOWN.
  - SWITCHES TO BE BLACK WITH WHITE ACTUATORS AND MARKINGS.
  - ALL MATERIAL AND FINISHES SHALL COMPLY WITH EU DIRECTIVE 2002/95/EC OF 27JAN2003 (ROHS)
- ⚠ OBSOLETE PARTS: OBSOLETE CIS STREAMLINING PER D.RENAUD/D.SINISI

SEE SHEET 2 FOR SURFACE MOUNT OPTIONS AND DIMENSIONS.

DESCRIPTION	QTY	UNIT PRICE	TOTAL PRICE	ALCO PART NUMBER	DATE CODE
TUBE	10	27.38	[1.078]	ADPA10SA04	6-1571999-4
TUBE	10	27.38	[1.078]	ADPA10S04	6-1571999-3
TUBE	10	27.38	[1.078]	ADPA1004	6-1571999-2
TUBE	9	24.84	[.978]	ADPA09SA04	6-1571999-1
TUBE	9	24.84	[.978]	ADPA09S04	6-1571999-0
TUBE	9	24.84	[.978]	ADPA0904	5-1571999-9
TUBE	8	22.30	[.878]	ADPA08SA04	5-1571999-8
TUBE	8	22.30	[.878]	ADPA08S04	5-1571999-7
TUBE	8	22.30	[.878]	ADPA0804	5-1571999-6
TUBE	7	19.76	[.778]	ADPA07SA04	5-1571999-5
TUBE	7	19.76	[.778]	ADPA07S04	5-1571999-4
TUBE	7	19.76	[.778]	ADPA0704	5-1571999-3
TUBE	6	17.22	[.678]	ADPA06SA04	5-1571999-2
TUBE	6	17.22	[.678]	ADPA06S04	5-1571999-1
TUBE	6	17.22	[.678]	ADPA0604	5-1571999-0
TUBE	5	14.68	[.578]	ADPA05SA04	4-1571999-9
TUBE	5	14.68	[.578]	ADPA05S04	4-1571999-8
TUBE	5	14.68	[.578]	ADPA0504	4-1571999-7
TUBE	4	12.14	[.478]	ADPA04SA04	4-1571999-6
TUBE	4	12.14	[.478]	ADPA04S04	4-1571999-5
TUBE	4	12.14	[.478]	ADPA0404	4-1571999-4
TUBE	2	7.06	[.278]	ADPA02SA04	4-1571999-3
TUBE	2	7.06	[.278]	ADPA02S04	4-1571999-2
TUBE	2	7.06	[.278]	ADPA0204	4-1571999-1
OBSOLETE	TAPE & REEL SWITCH ON	10	27.38 [1.078]	ADP10STRON04	4-1571999-0
TAPE & REEL	TAPE & REEL	10	27.38 [1.078]	ADP10STR04	3-1571999-9
OBSOLETE	TUBE	10	27.38 [1.078]	ADP10SA04	3-1571999-8
TUBE	TUBE	10	27.38 [1.078]	ADP10S04	3-1571999-7
TUBE	TUBE	10	27.38 [1.078]	ADP1004	3-1571999-6
OBSOLETE	TAPE & REEL SWITCH ON	9	24.84 [.978]	ADP09STRON04	3-1571999-5
TAPE & REEL	TAPE & REEL	9	24.84 [.978]	ADP09STR04	3-1571999-4
OBSOLETE	TUBE	9	24.84 [.978]	ADP09SA04	3-1571999-3
TUBE	TUBE	9	24.84 [.978]	ADP09S04	3-1571999-2
TUBE	TUBE	9	24.84 [.978]	ADP0904	3-1571999-1
OBSOLETE	TAPE & REEL SWITCH ON	8	22.30 [.878]	ADP08STRON04	3-1571999-0
TAPE & REEL	TAPE & REEL	8	22.30 [.878]	ADP08STR04	2-1571999-9
OBSOLETE	TUBE	8	22.30 [.878]	ADP08SA04	2-1571999-8
TUBE	TUBE	8	22.30 [.878]	ADP08S04	2-1571999-7
TUBE	TUBE	8	22.30 [.878]	ADP0804	2-1571999-6
OBSOLETE	TAPE & REEL SWITCH ON	7	19.76 [.778]	ADP07STRON04	2-1571999-5
TAPE & REEL	TAPE & REEL	7	19.76 [.778]	ADP07STR04	2-1571999-4
OBSOLETE	TUBE	7	19.76 [.778]	ADP07SA04	2-1571999-3
TUBE	TUBE	7	19.76 [.778]	ADP07S04	2-1571999-2
TUBE	TUBE	7	19.76 [.778]	ADP0704	2-1571999-1
OBSOLETE	TAPE & REEL SWITCH ON	6	17.22 [.678]	ADP06STRON04	2-1571999-0
TAPE & REEL	TAPE & REEL	6	17.22 [.678]	ADP06STR04	1-1571999-9
TUBE	TUBE	6	17.22 [.678]	ADP06SA04	1-1571999-8
TUBE	TUBE	6	17.22 [.678]	ADP06S04	1-1571999-7
TUBE	TUBE	6	17.22 [.678]	ADP0604	1-1571999-6
OBSOLETE	TAPE & REEL SWITCH ON	5	14.68 [.578]	ADP05STRON04	1-1571999-5
TAPE & REEL	TAPE & REEL	5	14.68 [.578]	ADP05STR04	1-1571999-4
OBSOLETE	TUBE	5	14.68 [.578]	ADP05SA04	1-1571999-3
TUBE	TUBE	5	14.68 [.578]	ADP05S04	1-1571999-2
TUBE	TUBE	5	14.68 [.578]	ADP0504	1-1571999-1
OBSOLETE	TAPE & REEL SWITCH ON	4	12.14 [.478]	ADP04STRON04	1-1571999-0
TAPE & REEL	TAPE & REEL	4	12.14 [.478]	ADP04STR04	1571999-9
TUBE	TUBE	4	12.14 [.478]	ADP04SA04	1571999-8
TUBE	TUBE	4	12.14 [.478]	ADP04S04	1571999-7
TUBE	TUBE	4	12.14 [.478]	ADP0404	1571999-6
OBSOLETE	TAPE & REEL SWITCH ON	2	7.00 [.276]	ADP02STRON04	1571999-5
TAPE & REEL	TAPE & REEL	2	7.00±0.50 [.276±.020]	ADP02STR04	1571999-4
TUBE	TUBE	2	7.00±0.50 [.276±.020]	ADP02SA04	1571999-3
TUBE	TUBE	2	7.00±0.50 [.276±.020]	ADP02S04	1571999-2
TUBE	TUBE	2	7.00±0.50 [.276±.020]	ADP0204	1571999-1
PACKAGING	Pole	Dim L	Old T&B P/N	P/N	

THIS DRAWING IS A CONTROLLED DOCUMENT.

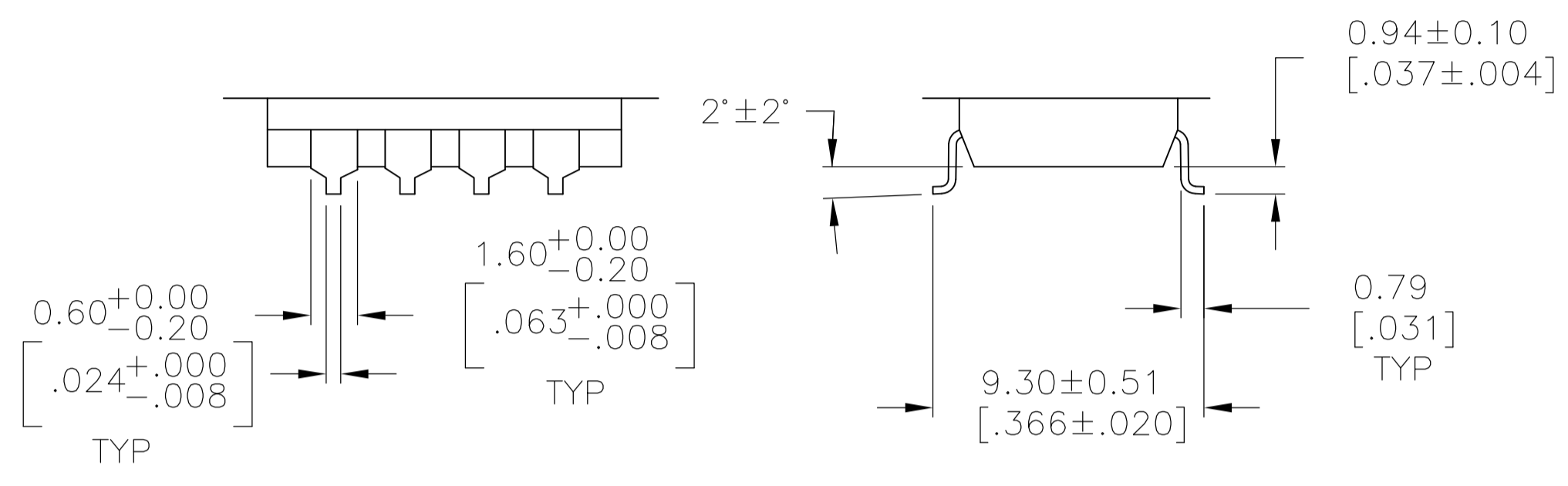
DIMENSIONS: mm [INCHES]	TOLERANCES UNLESS OTHERWISE SPECIFIED:	DIN M BINNER 14FEB05	M SARVER 15FEB05
0 PLC ± -	1 PLC ± -	2 PLC ± -	3 PLC ± 0.12(0.31)
4 PLC ± -	ANGLES ± 1°	APVD M SARVER 15FEB05	
MATERIAL	FINISH	WEIGHT	SIZE
			A1

STE TE Connectivity

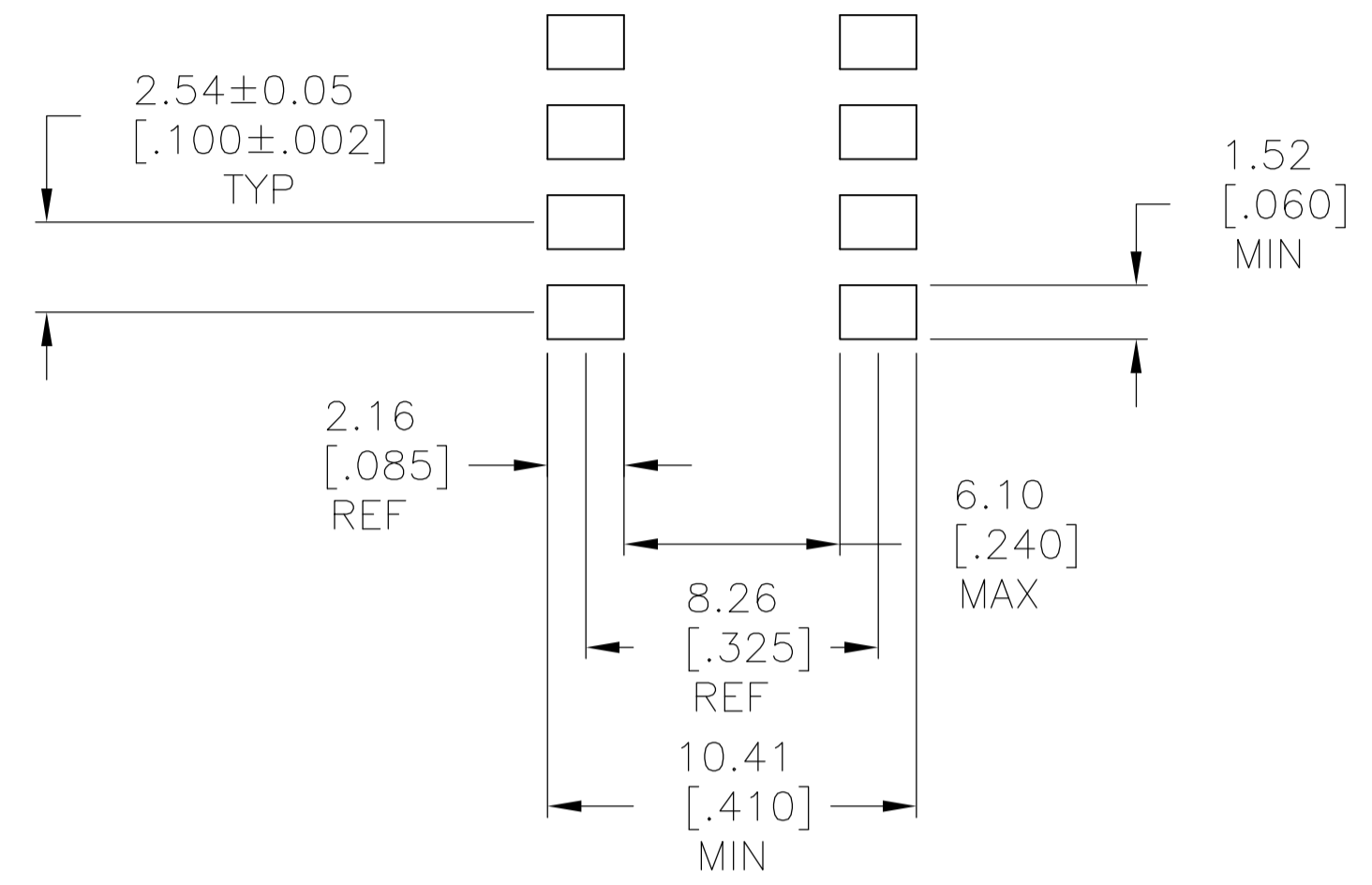
DIP SWITCH ASSEMBLY  
ADP/PA SERIES

00779 © 1571999

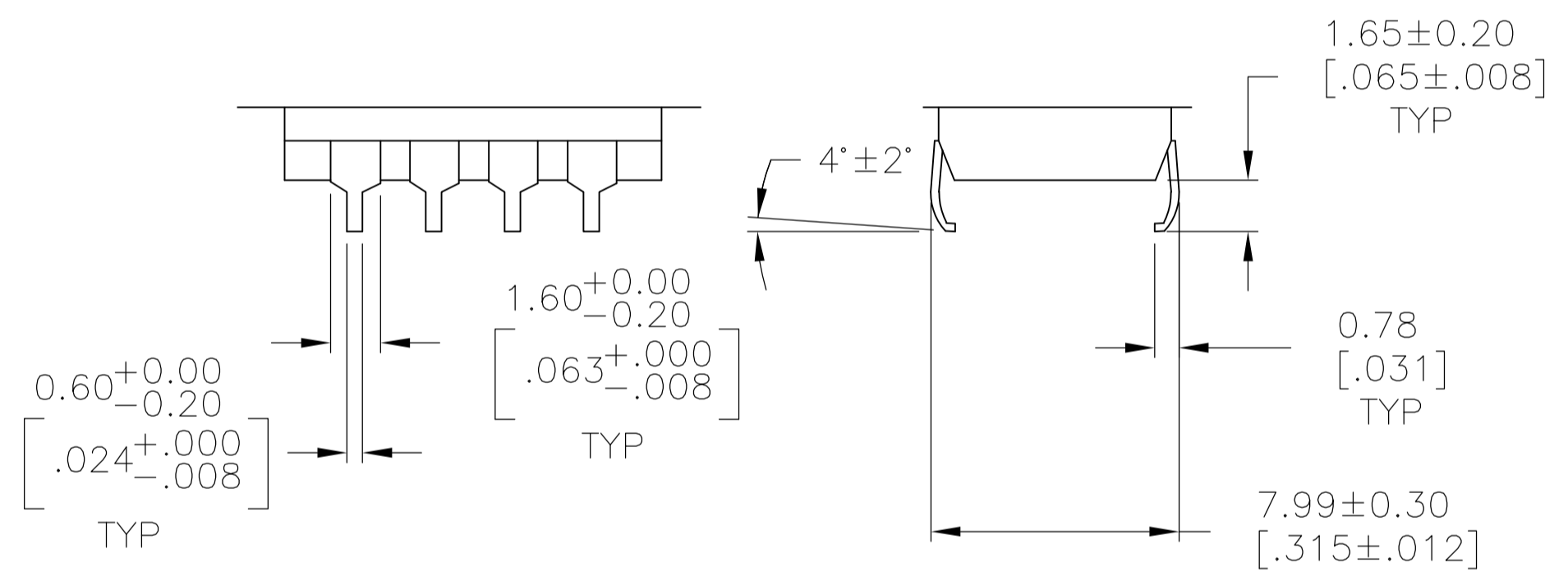
CUSTOMER DRAWING SCALE 1:1 SHEET 1 OF 2 REV D4



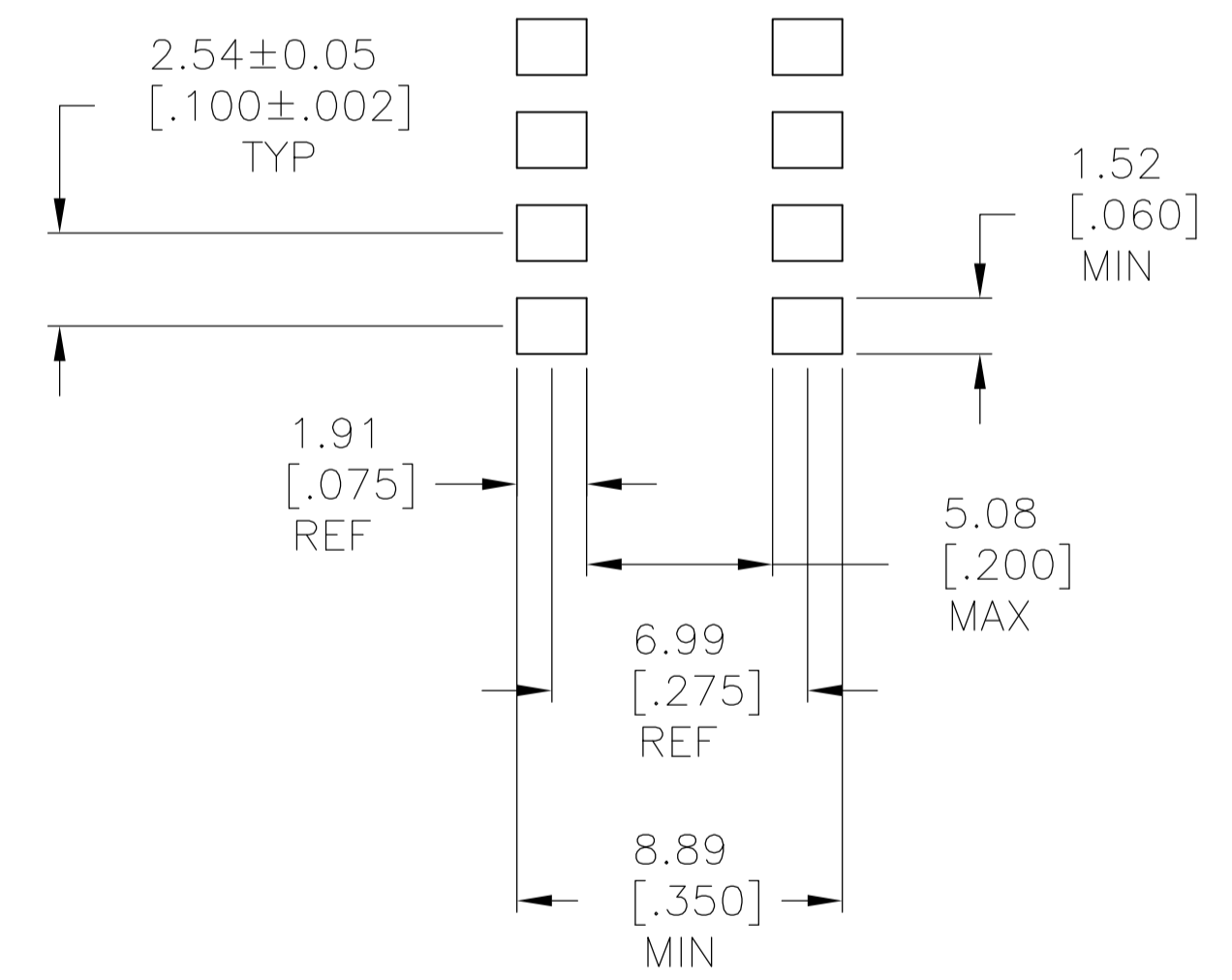
SURFACE MOUNT  
"S" TERMINATION



RECOMMENDED PAD LAYOUT  
SURFACE MOUNT  
"S" TERMINATION



SURFACE MOUNT  
"SA" TERMINATION



RECOMMENDED PAD LAYOUT  
SURFACE MOUNT  
"SA" TERMINATION

THIS DRAWING IS A CONTROLLED DOCUMENT.		DIN	M. BINNER	14FEB05	 TE Connectivity
DIMENSIONS: mm [INCHES]		CHK	M. SARVER	15FEB05	
TOLERANCES UNLESS OTHERWISE SPECIFIED:		NAME		DIP SWITCH ASSEMBLY	
0. PLC	± -	PRODUCT SPEC		ADP/PA SERIES	
1. PLC	± -	APPLICATION SPEC		-	
2. PLC	± -	SIZE	CAGE CODE	DRAWING NO.	RESTRICTED TO
3. PLC	± .012(0.31)	WEIGHT	A1	00779	1571999
4. PLC	± ± 1'	CUSTOMER DRAWING		SCALE	1:1
ANGLES	± ± 1'	SHEET		2	2
MATERIAL	FINISH	REV		D4	